

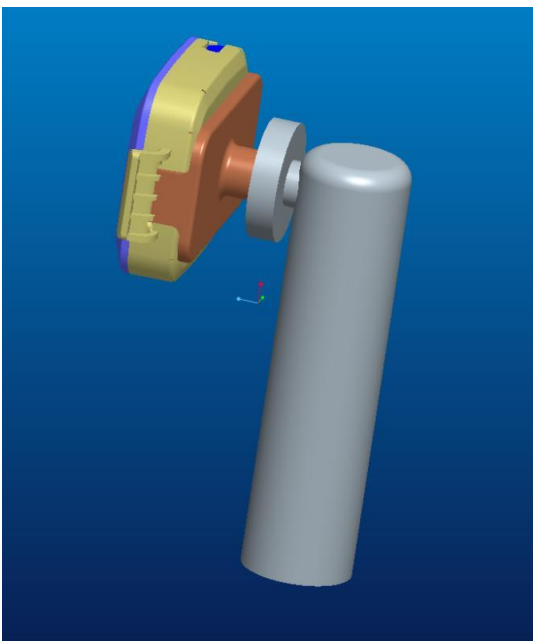
IVF-BU01

Multi-function Bluetooth RFID Reader

Reference Picture



Wristband



Telescopic Rod



Desktop

Feature Function

- ISO18000-6C, Gen2 Class 1
- Both of wireless air protocol and USB protocol
- Support Windows, Android and iOS operation system
- 4 In 1 Bluetooth RFID Reader including Wristband Reader, Desktop Reader, Telescopic Rod Reader and Pendant Reader
- Support 860-960Mhz (FCC, ETSI option)

Product Description:

IVF-BU01 first generation is a portable dongle UHF Bluetooth reader, which can be connected to the intelligent system platform such as IOS and Android via Bluetooth interface, and also can be used to connect traditional computer PC through USB interface. At the same time, there is 4 different kind of spare parts which are suitable for this multiple function Bluetooth RFID reader, wristband reader plus selfie stick parts, it will be easily be changed into a rod reader and a RFID writer device, which is convenient for industrial inventory / tracking purpose. Normally in industrial field, it will require a special reader equipment in order to read or write electronic label from warehouse, industry area. Multi-function Bluetooth reader considered more user experience in application and expanding a new idea to the RFID system engineer with the miniaturization, low cost and lead any civilian to use UHF reader, it promote better the real popularization of the RFID application system.

Parameter Specification

1. Brand Name: XMINNOV
2. Part No: IVF-BU01
3. Support UHF tag protocol ISO18000-6C
4. Support operation systems: Windows、IOS、 Android
5. Communication interface : BLE4.0、 USB
6. Reading distance : 50cm (depend on tag size)
7. Work time: continuous working 3 hours, query over 30 000 times.
8. Material: ABS+PC engineer plastic.
9. Battery capacity : 600mA
10. Charge method : USB 5V/0.5A,charge time 2 hours
11. LED Indicator: power indicator, connection indicator, working status indicator.

- 12. Buzzer: Build-in beeper
- 13. Switch: Twisting switcher
- 14. Operating Temperature: -20°C~60°C

Application

As this smart pocket reader with multiple operating method and quite low cost, it can be used like a wristband, selfie sticker telescopic rod reader, chest reader and desktop reader, concerning a super small size, highly suggest to have it used in warehouse, logistics, transportation, retailing, and anywhere.

